

Pankaj

MAKE IN INDIA



Mark Certified Product



Wire Wound Potentiometer Model: W.P-1

The most sought after product in Domestic and International market from PANKAJ, model W.P-1 marks it's presence since over five decades. Offers best value for money in manual setting application.

Features

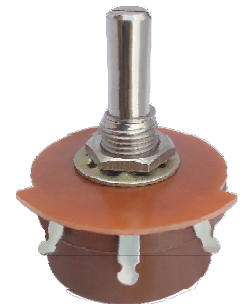
- ◆ Brass Nickel Plated Bush & Spindle
- ◆ Tin Plated Terminals
- ◆ High Grade Engineering Moulded Plastic Housing

Optional Features

- ◆ Anti Rotating Mounting Plate
- ◆ Various Shaft Lengths and Designs
- ◆ Shaft Locking Nut

Electrical Specifications

Resistance Range	25 Ω to 25 K Ω
Resistance Tolerance	$\pm 10\%$ Standard, $\pm 5\%$ Special
Power Rating	1 Watt @ 40°C
End Resistance	0.2 Ω or 0.02% which ever is greater
Elec. Angle of Rotation	265° \pm 15°
Maximum Working Voltage	250 VDC
Insulation Resistance	200 M Ω @ 500 VDC
Voltage Proof	750 VAC for 1 Min. At Sea level
TCR of Resistance Wire	150 ppm/°C
Rotational Life Expectancy	20,000 Cycles at 15 RPM
Temperature Range	0 - 70°C.



Mechanical Specifications

Housing Diameter	24 mm
Housing Height	16 mm
Shaft Diameter	6.3 mm
Shaft Length	19 mm or 25 mm Standard
Bush Mounting	3/8" x 32 TPI, 10mm long
Mech. Angle of Rotation	285° \pm 15°



Applications

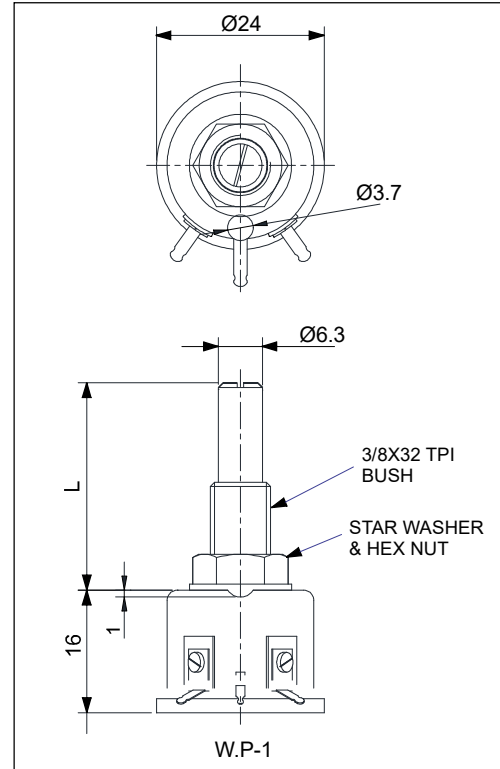
- ◆ Temperature Controllers
- ◆ Power Supplies, AC/DC Motor Drives
- ◆ Process Control Equipments
- ◆ Test and Measuring Instruments
- ◆ Control Panels
- ◆ Offset Settings & many more.

Wire Wound Potentiometer Model: W.P-1

Product Images



Dimensional Diagram



Ordering Information

Example: R.W-1, 10K, 25mm

Model No.	Resistance Value in ohms	Shaft Length in mm	Other Options
R. W-1	25, 50, 100, 150, 200, 250, 500, 1K, 2K, 2K5, 3K, 5K, 10K, 20K, 25K	Standard: 19 mm or 25 mm Other shaft length: 16 mm, 16 Flat, 19 Flat	F - Flattened Shaft P - Locking Plate L - Shaft Locking Nut

Note: We reserve the right to make any kind of design, specifications or functional modification at any moment without prior notice

Pankaj POTENTIOMETERS PVT. LTD.
Manufacturers & Exporters
MUMBAI-INDIA

URL: www.pankaj.com, E-mail: pankaj.potentiometers@gmail.com