

# Pankaj

MAKE IN INDIA



Mark Certified Product



RoHS COMPLIANT

## Rotary Conductive Plastic Servo Potentiometer Model: RCP-22

Rotary Conductive Plastic Servo Potentiometer from PANKAJ offers long rotational life, stable output in wide temperature range, high moisture environment, with infinite resolution for manual or mechanized application in variety of fields.

### Features

- ◆ Infinite Resolution, Low CRV
  - ◆ Gold Plated Wiper
  - ◆ Bush Mounting
  - \* Aluminium Housing
  - ◆ Brass Nickle Plated Shaft
  - ◆ Gold Plated Studs
  - ◆ Long Rotational Life
  - ◆ Sturdy Construction
- \* 1 & 3 Fixed terminals, 2 Variable, 4 Center terminal**



### Electrical Specifications

Standard Resistance Values	1K, 5K & 10 KΩ, Others on request
Resistance Tolerance	
Standard	±25%
Special	±15%
Resolution	Essentially Infinite
Rotational Life Expectancy	1 Lakh Shaft Revolutions
Temp. Coefficient of Resistance	±500 ppm/°C
Maximum Wiper Current	1 mA
Effective Electrical Angle	(1) 340° (2) 100° (3) 60°
Dielectric Strength at Sea Level	Min. 1000VAC for 1 minute
Temperature Range	0° to 70°C
Weight	15 gms

### Mechanical Specifications

Housing Diameter & Height	22 mm x 12 mm
Shaft Diameter & Length	6.35 mm x 15 mm
Bush Mounting	3/8 x 32 TPI
Pilot Diameter	10 mm x 1.5 mm
Mechanical Angle of Rotation	360°

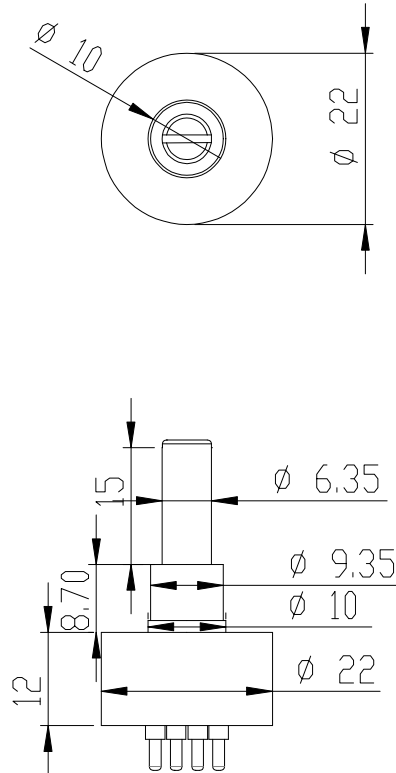


**Rotary Conductive Plastic Potentiometer  
Model: RCP-22**

**Product Image**



**Dimensional Diagram**



**Applications**

- ◆ Drives, Automation
- ◆ Rotary sensing
- ◆ Joystick
- ◆ Feedback
- ◆ Tension Control
- ◆ Valves Control & many more.

**Ordering Information**

**Example: RCP-22, 5K**

Model No.	Resistance Value in ohms
RCP-22	1K, 5K, 10K

**Manufacturers & Exporters**

**PANKAJ POTENTIOMETERS PVT. LTD.**  
**MUMBAI-INDIA**

URL: [www.pankaj.com](http://www.pankaj.com), E-mail: [pankaj.potentiometers@gmail.com](mailto:pankaj.potentiometers@gmail.com)

Note: We reserve the right to make any kind of design, specifications or functional modification at any moment without prior notice