



MAKE IN INDIA



**Wire Wound Servo Potentiometer
Model: SS-50**

Model SS-50 is Wire Wound Servo Potentiometers with spindle on two ball bearings from PANKAJ, the trusted brand of Wire Wound Potentiometers in India, best suited for Dancer application due to low Torque and longer life. Spring Hard Stainless Steel C Clamp for Mounting

Features

- ◆ Aluminum Black Anodized Top & Bottom
- ◆ Bakelite Housing
- ◆ Double Ball Bearings
- ◆ 6 mm Dia 15 mm Long Stainless Steel Shaft
- ◆ Gold Plated Terminals and Contacts

Optional Features

- ◆ Threaded Bush Mounting
- ◆ Hole in Shaft
- ◆ Shaft on Both Sides
- ◆ Dual Track
- ◆ Customised Electrical Angle with Tapping at 90°, 180° or 270°

Electrical Specifications

Resistance Values	1 K Ω , 2 K Ω , 5 K Ω & 10 K Ω
Customised Resistance Values	100 Ω , 500 Ω
Power Rating	3 Watt
Linearity	Better than 1%
Insulation Resistance	200 M Ω at 500 VDC
Max Working Voltage	300 VDC
Voltage Proof	1 KV for 1min. at sea level
Electrical Angle of Rotation	355°

Mechanical Specifications

Housing Diameter	50 mm
Housing Height	28 mm
Servo Mounting	Three M3 Screws @ 32PCD
Pilot Diameter	19 mm x 1.5 mm
Mechanical Angle of Rotation	360°



Applications

- ◆ Tension Control
- ◆ Feedback
- ◆ Dancer POT
- ◆ Process Control Equipments
- ◆ Control Valves & many more.

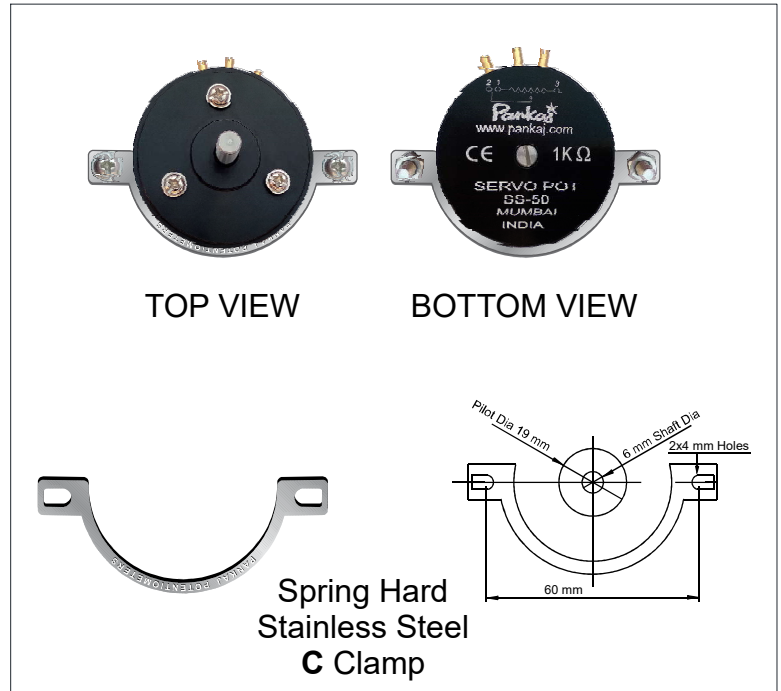
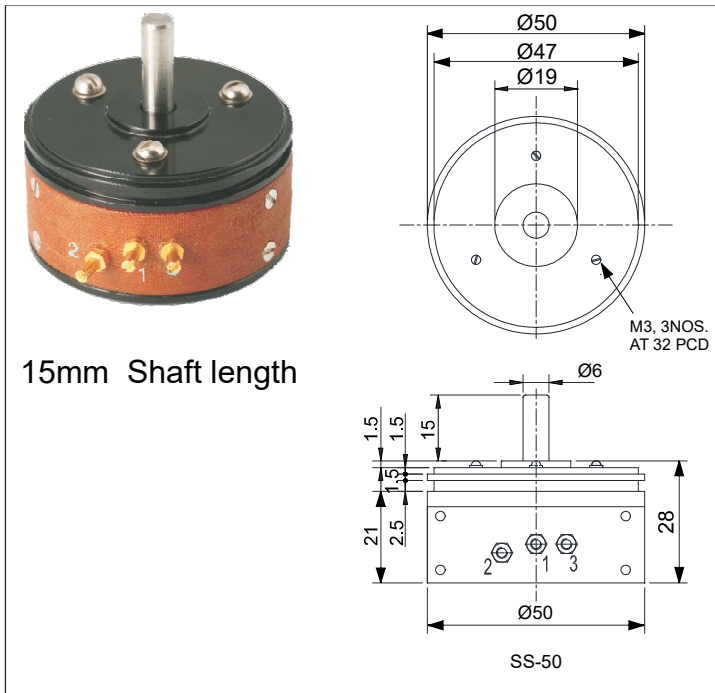
Theoretical Resolution in % of Resistance Value

Resistance Range	% Resolution
100 Ω	0.234
500 Ω	0.124
1K Ω	0.137
2K Ω	0.120
5K Ω	0.069
10K Ω	0.054

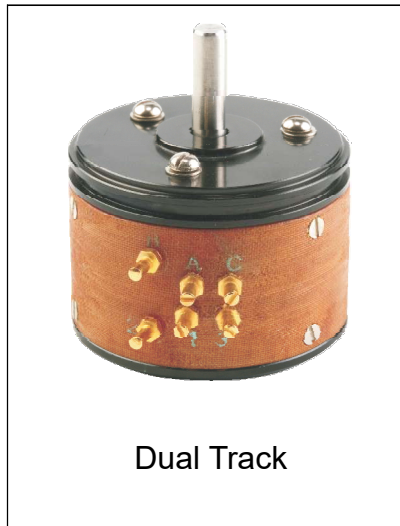
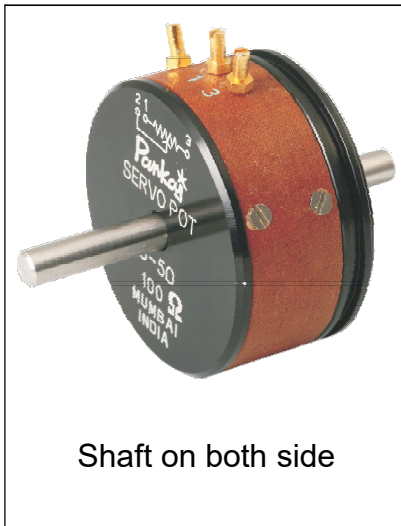
Wire Wound Servo Potentiometer Model: SS-50

Product Image

Dimensional Diagram



Others Options



Ordering Information

Example: SS-50, 10K, 15mm

Model No.	Resistance Values in Ohms	Shaft Length in mm
SS-50	100, 500, 1K, 2K, 5K, 10K	Standard: 15 mm Others: 25 mm, 30 mm, 50 mm or shaft on both side (10+15 or 15+25)mm

Note: We reserve the right to make any kind of design, specifications or functional modification at any moment without prior notice

Pankaj POTENTIOMETERS PVT. LTD.
Manufacturers & Exporters
MUMBAI-INDIA

URL: www.pankaj.com, E-mail: pankaj.potentiometers@gmail.com