

MAKE IN INDIA



**Rotary Conductive Plastic Servo Potentiometer  
Model: RCP-50**

Conductive Plastic Servo Potentiometer from PANKAJ offers long rotational life, stable output in wide temperature range, high moisture environment, with infinite resolution for manual or mechanized application in variety of fields.

Spring Hard Stainless Steel C Clamps for Mounting

**Features**

- ◆ Infinite Resolution, Low CRV
- ◆ Gold Plated Wiper & PCB
- ◆ Double Ball Bearings
- ◆ White Anodized Aluminum Top
- ◆ Bachelite Housing
- ◆ Relimate Connector PCB
- ◆ Long Rotational Life
- ◆ Sturdy Construction

**Electrical Specifications**

Standard Resistance Values	1K, 5K & 10K $\Omega$ , Others on request
Resistance Tolerance	
Standard	$\pm 25\%$
Special	$\pm 15\%$
Power Rating	3 Watt @ 40°C
Resolution	Essentially Infinite
Rotational Life Expectancy	1 Lakh Shaft Revolutions
Temp. Coefficient of Resistance	$\pm 500$ ppm/°C
Maximum Wiper Current	1 mA
Effective Electrical Angle	355°
Dielectric Strength at Sea Level	Min. 1000VAC for 1 minute
Temperature Range	0° to 70°C



**Mechanical Specifications**

Housing Diameter	50 mm
Housing Height	25.50 mm
Shaft Diameter	6 mm
Shaft Length	15 mm
Servo Mounting	Three M3 screws @ 32 mm PCD
Pilot Diameter	19 mm x 1.5 mm
Mechanical Angle of Rotation	360°

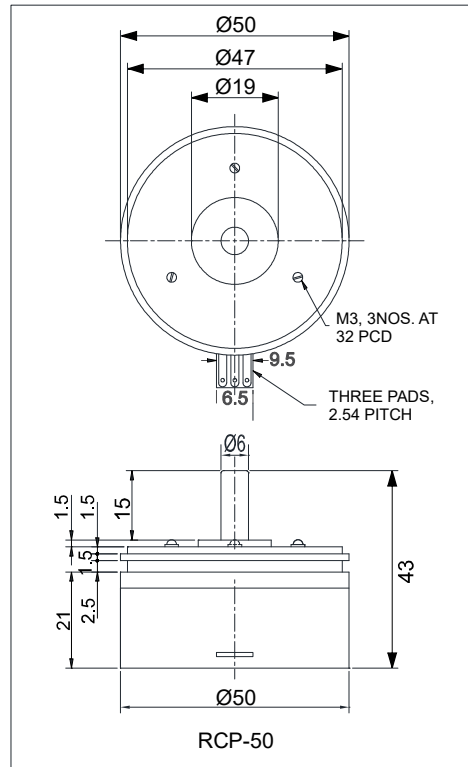


# Rotary Conductive Plastic Servo Potentiometer Model: RCP-50

## Product Image



## Dimensional Diagram



## Applications

- ◆ Automation
- ◆ Rotary sensing
- ◆ Dancer POT
- ◆ Feedback
- ◆ Tension Control
- ◆ Valves Control & many more.

## Ordering Information

Model No.	Resistance Value in ohms
RCP-50	1K, 5K, 10K

## Example: RCP-50, 1K



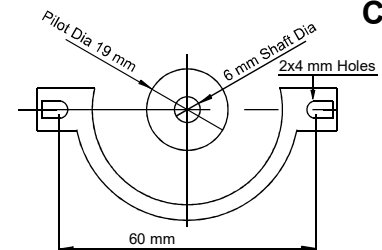
TOP VIEW



BOTTOM VIEW



Spring Hard  
Stainless Steel  
C Clamp



**Note: We reserve the right to make any kind of design, specifications or functional modification at any moment without prior notice**

**Pankaj** POTENTIOMETERS PVT. LTD.

Manufacturers & Exporters  
MUMBAI-INDIA

URL: [www.pankaj.com](http://www.pankaj.com), E-mail: [pankaj.potentiometers@gmail.com](mailto:pankaj.potentiometers@gmail.com)