

MAKE IN INDIA



Mark Certified Product



**Single Turn Wire Wound Potentiometer  
Model: R.W-5**

PANKAJ, the most popular brand for panel mounted Wire Wound Potentiometers, manufactures model R.W.5 product best suited for Railways & battery charges applications etc. This product is also available with Screw / nut type stud terminals. Incidentally this is the only product of its kind in market.

**Features**

- ◆ Brass Nickel Plated Bush & Spindle
- ◆ Tin Plated Terminals
- ◆ Thermoset Housing

**Optional Features**

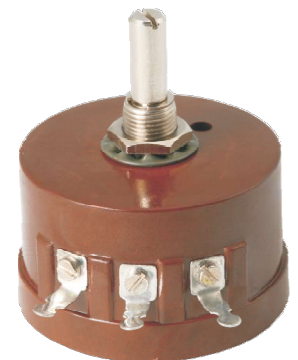
- ◆ Anti Rotating Mounting Plate
- ◆ Stud Type Terminal
- ◆ Shaft Locking Nut

**Electrical Specifications**

Resistance Range	50 Ω to 50 KΩ
Resistance Tolerance	±10% Standard, ±5% Special
Power Rating	5 Watt @ 40°C
End Resistance	0.2 Ω or 0.02% which ever is greater
Elec. Angle of Rotation	285°±15°
Maximum Working Voltage	500 VDC
Insulation Resistance	500 MΩ @ 500 VDC
Voltage Proof	1500 VAC for 1 Min. At Sea level
TCR of Resistance Wire	150 ppm/°C
Rotational Life Expectancy	20,000 Cycles at 15 RPM
Temperature Range	0 - 70°C.

**Mechanical Specifications**

Housing Diameter	48 mm
Housing Height	28 mm
Shaft Diameter	6.3 mm
Shaft Length	25 mm
Bush Mounting	3/8" x 32 TPI, 10 mm Long
Mechanical Angle of Rot.	290°±15°

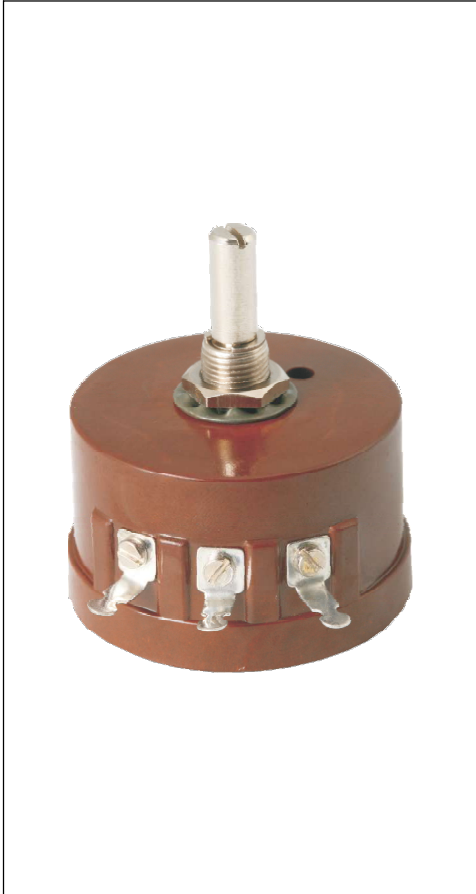


**Applications**

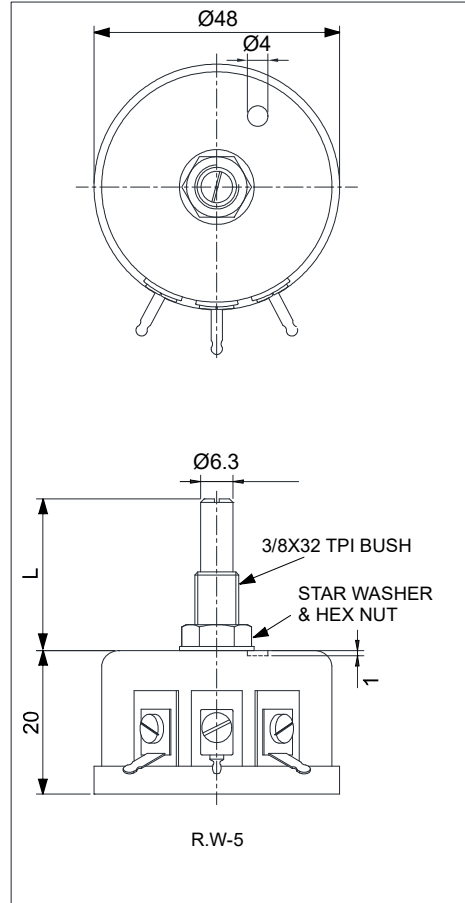
- ◆ Power Supplies
- ◆ Battery Chargers
- ◆ Process Control Equipments
- ◆ Test and Measuring Instruments
- ◆ Control Panels
- ◆ Offset Settings & many more.

## Single Turn Wire Wound Potentiometer Model: R.W-5

**Product Image**



**Dimensional Diagram**



**Ordering Information**

**Example: R.W-5, 10K, 25 mm**

Model No.	Resistance Value in ohms	Shaft Length in mm	Other Options
R. W-5	50, 100, 250, 500, 1K, 2K, 2K5, 3K, 5K, 10K, 20K, 25K, 50K	25 mm	P - Locking Plate L - Shaft Locking Nut

**Note: We reserve the right to make any kind of design, specifications or functional modification at any moment without prior notice**

**Pankaj** POTENTIOMETERS PVT. LTD.

**Manufacturers & Exporters  
MUMBAI-INDIA**

URL: [www.pankaj.com](http://www.pankaj.com), E-mail: [pankaj.potentiometers@gmail.com](mailto:pankaj.potentiometers@gmail.com)