



Pankaj

MAKE IN INDIA
 CE Mark Certified Product



**Single Turn Wire Wound Potentiometer
 Model: R.W-15**

Model R.W-15 is the highest power ratted panel mounted Potentiometer from PANKAJ has thermosetting housing, good linearity coupled with longer rotational life expectancy in its class. Incidentally this is the only product of its kind in market.

Features

- ◆ Brass Nickel Plated Bush & Spindle
- ◆ Tin Plated Terminals
- ◆ Thermoset Housing



Electrical Specifications

| | |
|----------------------------|--------------------------------------|
| Resistance Range | 50 Ω to 50 KΩ |
| Resistance Tolerance | ±10% Standard, ±5% Special |
| Power Rating | 15 Watt @ 40°C |
| End Resistance | 0.2Ω or 0.02 % which ever is greater |
| Elec. Angle of Rotation | 310° ± 15° |
| Maximum Working Voltage | 500 VDC |
| Insulation Resistance | 500 MΩ @ 500 VDC |
| Voltage Proof | 1500 VAC for 1 Min. At Sea level |
| TCR of Resistance Wire | 150 ppm/°C |
| Rotational Life Expectancy | 20,000 Cycles at 15 RPM |
| Temperature Range | 0 - 70°C. |

Mechanical Specifications

| | |
|-------------------------|---|
| Housing Diameter | 90 mm |
| Housing Height | 38 mm |
| Shaft Diameter | 6.3 mm |
| Shaft Length | 40 mm |
| Bush Mounting | 3/8" x 32 TPI, 10mm Long & Three M3 screws @ 36 PCD |
| Mech. Angle of Rotation | 330°±15° |

Applications

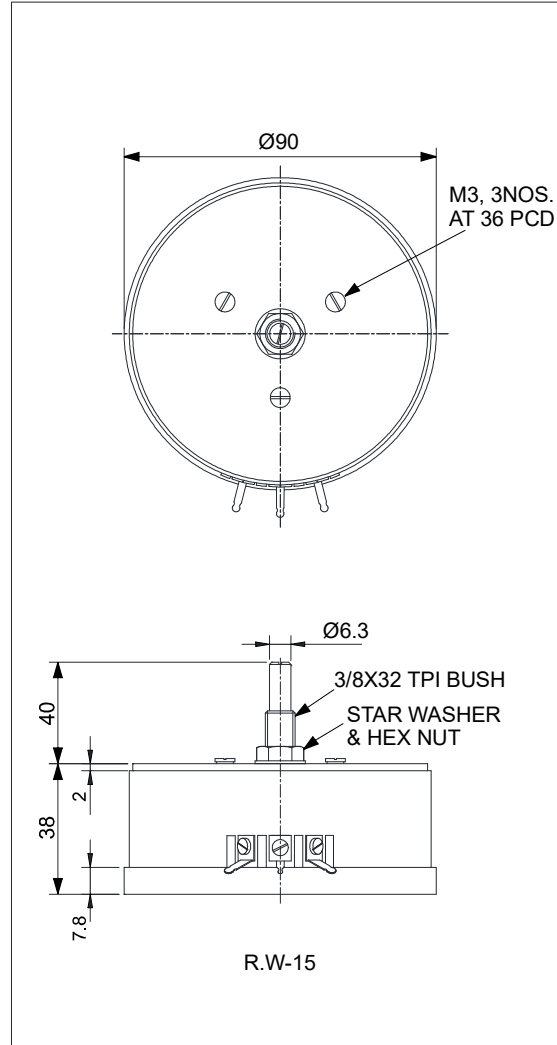
- ◆ Railway Battery Charger
- ◆ Power Supplies
- ◆ AC/DC Motor Drives
- ◆ Process Control Equipments
- ◆ Test & Measuring Instruments
- ◆ Control Panels
- ◆ Offset Settings & many more.

Single Turn Wire Wound Potentiometer Model: R.W-15

Product Image



Dimensional Diagram



Ordering Information

Example: R.W-15, 10K, 40 mm

| Model No. | Resistance Value in ohms | Shaft Length in mm |
|-----------|--|--------------------|
| R. W-15 | 50, 100, 250, 500, 1K, 2K, 2K5, 3K, 5K, 10K, 20K, 25K, 50K, 100K | 40 mm |

Note: We reserve the right to make any kind of design, specifications or functional modification at any moment without prior notice

Pankaj POTENTIOMETERS PVT. LTD.
Manufacturers & Exporters
MUMBAI-INDIA

URL: www.pankaj.com, E-mail: pankaj.potentiometers@gmail.com