

MAKE IN INDIA



**Single Turn Wire Wound Potentiometer
Model: R.W-1**

The most sought after product in Domestic and International market from PANKAJ, model R.W-1 marks it's presence since over five decades. Offers best value for money in manual setting application.

Features

- ◆ Brass Nickel Plated Bush & Spindle
- ◆ Tin Plated Terminals
- ◆ High Grade Engineering Moulded Plastic Housing

Optional Features

- ◆ Anti Rotating Mounting Plate
- ◆ Various Shaft Lengths and Designs
- ◆ Shaft Locking Nut

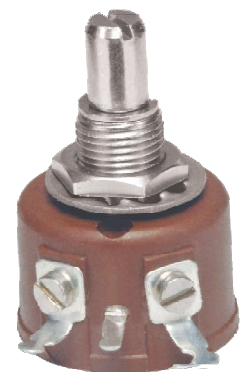
Electrical Specifications

Resistance Range	25 Ω to 25 KΩ
Resistance Tolerance	±10% Standard, ±5% Special
Power Rating	1 Watt @ 40°C
End Resistance	0.2 Ω or 0.02% which ever is greater
Elec. Angle of Rotation	265° ± 15°
Maximum Working Voltage	250 VDC
Insulation Resistance	200 MΩ @ 500 VDC
Voltage Proof	750 VAC for 1 Min. At Sea level
TCR of Resistance Wire	150 ppm/°C
Rotational Life Expectancy	20,000 Cycles at 15 RPM
Temperature Range	0 - 70°C.



Mechanical Specifications

Housing Diameter	24 mm
Housing Height	16 mm
Shaft Diameter	6.3 mm
Shaft Length	19 mm or 25 mm Standard
Bush Mounting	3/8" x 32 TPI, 10mm long
Mech. Angle of Rotation	285° ± 15°



Applications

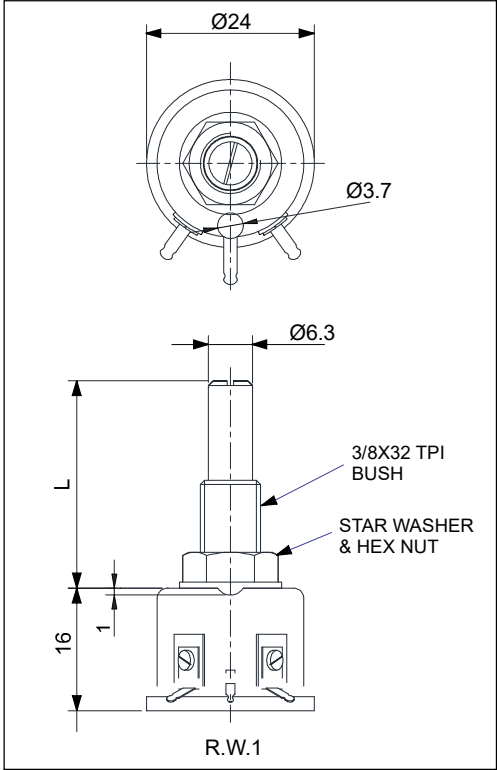
- ◆ Temperature Controllers
- ◆ Power Supplies, AC/DC Motor Drives
- ◆ Process Control Equipments
- ◆ Test and Measuring Instruments
- ◆ Control Panels
- ◆ Offset Settings & many more.

Single Turn Wire Wound Potentiometer Model: R.W-1

Product Images



Dimensional Diagram



Other Options



Lugs at 180°



Shaft dia. 6 mm,
length 25 mm



Shaft dia. 6 mm,
length 40 mm

Ordering Information

Example: R.W-1, 10K, 25mm

Model No.	Resistance Value in ohms	Shaft Length in mm	Other Options
R. W-1	25, 50, 100, 150, 200, 250, 500, 1K, 2K, 2K5, 3K, 5K, 10K, 20K, 25K	Standard: 19 mm or 25 mm Other shaft length: 16 mm, 16 Flat, 19 Flat	F - Flattened Shaft P - Locking Plate L - Shaft Locking Nut

Note: We reserve the right to make any kind of design, specifications or functional modification at any moment without prior notice

Pankaj POTENTIOMETERS PVT. LTD.
Manufacturers & Exporters
MUMBAI-INDIA

URL: www.pankaj.com, E-mail: pankaj.potentiometers@gmail.com