



# Pankaj

MAKE IN INDIA



## Wire Wound Potentiometer Model: SR.W-3

PANKAJ, Model SR.W-3 enjoys the privilege of being the only Indian Product Manufactured to meet Defense specifications DEF 5121, JSS - 50502

### Features

- ◆ Brass Nickel Plated Bush & Spindle
- ◆ Tin Plated Terminals
- ◆ Thermoset Housing
- ◆ Flame Proof Housing
- ◆ IP-65
- ◆ Panel & Spindle sealing, hence can be used in harsh environmental condition.

### Optional Features

- ◆ Anti Rotating Mounting Plate

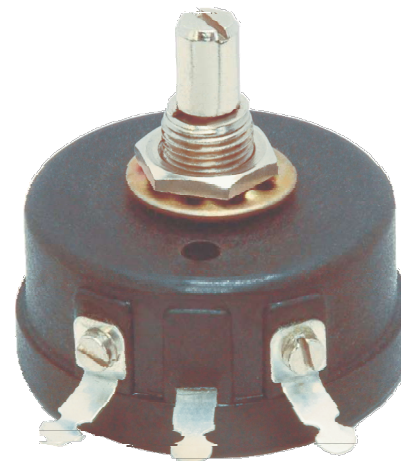
### Military Grade Specifications

Resistance Range	50Ω to 10KΩ $\pm 10\%$
Power Rating	1 Watt @ 70°C
Stability	$\pm 2\%$
TCR	$\pm 150$ ppm/°C (Max.)
Temperature Range	T 40/70 (-40°C to +70°C)
Damp Heat	H 12 (2 Cycles 21 Days)
Air Pressure	P 16:8.5 kpa
Acceleration (Steady State)	A 10: 170 m/s <sup>2</sup>
Impact (Shock)	S 12: 500 m/s <sup>2</sup> , 11 ms
Vibration	V 12: 10 to 2000 Hz. 100 m/s <sup>2</sup>

TCR = Temperature Co-efficient of Resistance Wire

### Applications

- ◆ Temperature Controllers,
- ◆ Power Supplies,
- ◆ AC/DC Motor Drives,
- ◆ Process Control Equipments,
- ◆ Test and Measuring Instruments,
- ◆ Control Panels,
- ◆ Offset Settings & many more.

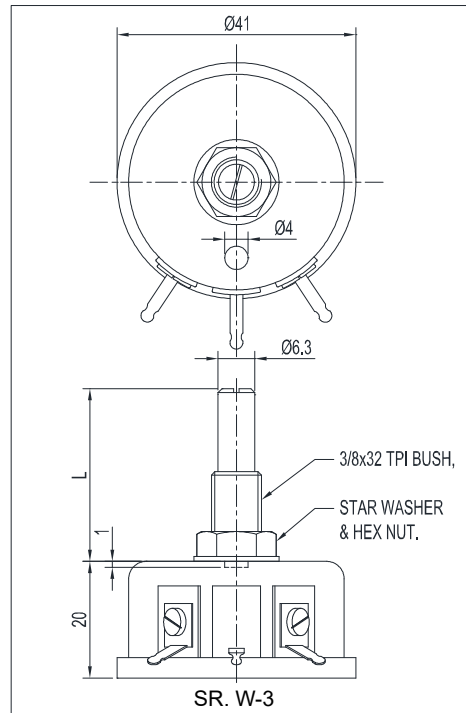


## Wire Wound Potentiometer Model: SR.W-3

**Product Image**



**Dimensional Diagram**



**Ordering Information**

**Example: SR.W-3, 25K, 25 mm**

Model No.	Resistance Value in ohms	Shaft Length in mm	Other Options
SR.W-3	50, 100, 150, 200, 250, 500, 1K, 2K, 2K5, 3K, 5K, 10K	19 mm or 25 mm	P - Locking Plate L - Shaft Locking Nut

**Note: We reserve the right to make any kind of design, specifications or functional modification at any moment without prior notice**

**Pankaj** POTENTIOMETERS PVT. LTD.  
Manufacturers & Exporters  
MUMBAI-INDIA

URL: [www.pankaj.com](http://www.pankaj.com), E-mail: [pankaj.potentiometers@gmail.com](mailto:pankaj.potentiometers@gmail.com)