

MAKE IN INDIA



RoHS COMPLIANT

**Rotary Conductive Plastic Servo Potentiometer
Model: RCP-35**

Conductive Plastic Servo Potentiometer from PANKAJ offers long rotational life, stable output in wide temperature range, high moisture environment, with infinite resolution for manual or mechanized application in variety of fields.

Features

- ◆ Infinite Resolution, Low CRV
- ◆ Gold Plated Wiper & PCB
- ◆ Double Ball Bearings
- ◆ White Anodized Aluminum Top
- ◆ Fiber Backelite Housing
- ◆ Relimate Connector PCB
- ◆ Long Rotational Life
- ◆ Sturdy Construction

Electrical Specifications

Standard Resistance Values	1K, 5K & 10 KΩ, Others on request
Resistance Tolerance	
Standard	±25%
Special	±15%
Resolution	Essentially Infinite
Rotational Life Expectancy	1 Lakh Shaft Revolutions
Temp. Coefficient of Resistance	±500 ppm/°C
Maximum Wiper Current	1 mA
Effective Electrical Angle	355°
Dielectric Strength at Sea Level	Min. 1000VAC for 1 minute
Temperature Range	0° to 70°C
Weight	20 gm



Mechanical Specifications

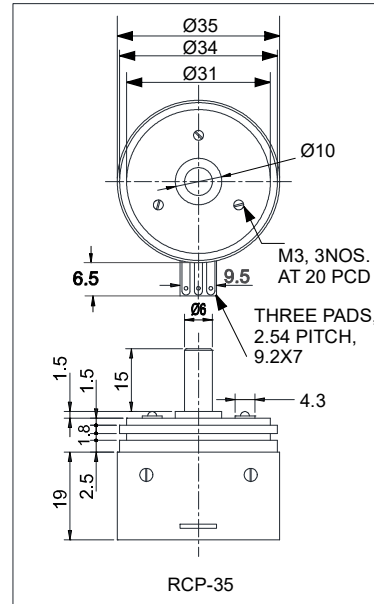
Housing Diameter	35 mm
Housing Height	27.5 mm
Shaft Diameter	6 mm
Shaft Length	15 mm
Servo Mounting	Three M3 screws @ 20 mm PCD
Pilot Diameter	10 mm x 1.5 mm
Mechanical Angle of Rotation	360°

Rotary Conductive Plastic Servo Potentiometer Model: RCP-35

Product Image



Dimensional Diagram



Applications

- ◆ Drives, Automation
- ◆ Rotary sensing
- ◆ Feedback
- ◆ Tension Control
- ◆ Valves Control & many more.

Ordering Information

Example: RCP-35, 1K

Model No.	Resistance Value in ohms
RCP-35	1K, 5K, 10K

Note: We reserve the right to make any kind of design, specifications or functional modification at any moment without prior notice

Pankaj POTENTIOMETERS PVT. LTD.

**Manufacturers & Exporters
MUMBAI-INDIA**

URL: www.pankaj.com, E-mail: pankaj.potentiometers@gmail.com