

**RoHS
COMPLIANT**

**10 Bit Absolute Analogue Encoder
Model: NCP-711-S (Standard) & V (Voltage)**

Absolute Analogue Servo Encoder is operating on Hall's effect principle. There is no metallic moving wiper contacting to element and hence no wear and tear or sliding electrical noise. Shaft is rotating endlessly in double ball bearings giving very smooth movement. It has excellent mechanical response with no hysteresis in the output. The Sensor and electronic circuits are enclosed in anodized aluminum housing with IP-65 protection, It is ideal for harsh environment applications.

Features

- ◆ 50 mm Diameter Black Aluminum Anodised housing
- ◆ Double Ball Bearings
- ◆ 8 mm Stainless Steel 'D' cut Shaft
- ◆ Servo Mounting or three M3 Screws at 32mm PCD
- ◆ Low operating torque
- ◆ Connector with cable



Specifications

Angle of Rotation	0~360° Clockwise rotation (Endless), can be factory programmed for 45°, 90°, 180° and Counter Clockwise Rotation (CCW)
Auxiliary Supply (Vss)	9 VDC to 30VDC±10%, 25 mA max
Output	0-10 VDC (Load ≥ 2KΩ), 4-20 mA (Load ≥ 600Ω)
Total Independent linearity	≤0.7° (with respect to best line fit and over full temperature range) for V & mA output
Resolution	10 bit (0.35°) over 360° for 360° range 11 bit (0.176°) over 180° for 180° range 12 bit (0.088°) over 90° for 90° range 12 bit (0.088°) over 45° for 45° range
External Magnetic Field Effect	Small effect due to Differential measuring technique & sensor conditioning circuitry. (It is desirable to mount encoder away from strong magnetic field, at least 100mm)
Maximum Angular Shaft Speed	3000RPM. Number of samples per revolution decreases as the speed of rotation increases. Accuracy of output is not affected by Speed
Operating Temperature Range	0°~70°C
Temperature Compensation	No external compensation required
Insulation Resistance	2 MΩ min. @ 500 VDC
H.V. Test	No damage for 1 min at 250 VAC
Rotational life	100 million
Protection Class	IP-65

**10 Bit Absolute Analogue Encoder
Model: NCP-711-S (Standard) & V (Voltage)**

Applications

- ◆ Automation
- ◆ Test and Measuring Instruments
- ◆ Crane, Angle Measurement
- ◆ Printing Industries
- ◆ Robotics & many more.

Options

NCP-711-V (0 to 10VDC)

- V/45°, CW or CCW
- V/90°, CW or CCW
- V/180°, CW or CCW
- V/360°, CW or CCW - (Standard V)

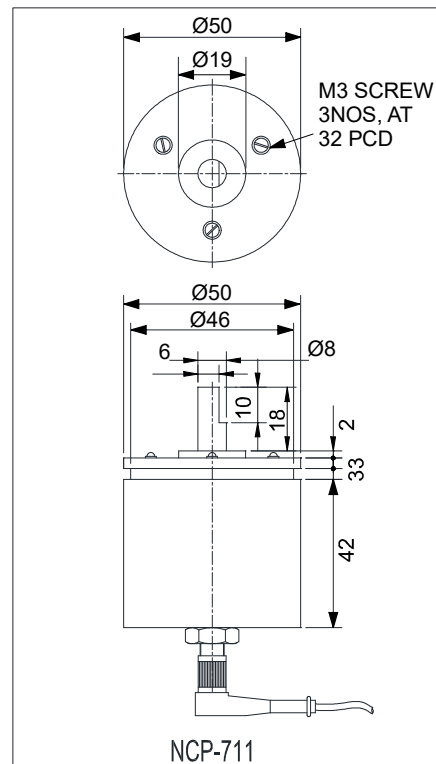
NCP-711-S (V = 0 to 10VDC & I_o = 4 to 20mA)

- S/45°, CW or CCW
- S/90°, CW or CCW
- S/180°, CW or CCW
- S/360°, CW or CCW - (Standard V & I)

Product Image



Dimensional Diagram



Note: We reserve the right to make any kind of design, specifications or functional modification at any moment without prior notice

Pankaj POTENTIOMETERS PVT. LTD.
Manufacturers & Exporters
MUMBAI-INDIA

URL: www.pankaj.com, E-mail: pankaj.potentiometers@gmail.com