

Pankaj

MAKE IN INDIA

CE Mark Certified Product



RoHS COMPLIANT

**Short Stroke Conductive Plastic Potentiometers
Model: LCP-10/LCP-20**

Keeping in line with the policy of pioneering to manufacture potentiometer with 100% own technology, Pankaj introduces Short Stroke Conductive Plastic Potentiometer.

Features

- ◆ 20 mm square housing made of strong glass reinforced engineering plastic
- ◆ 5 mm Diameter spring return plunger
- ◆ Flange mounting
- ◆ 10 mm or 20 mm Electrical travel
- ◆ Gold plated PCB
- ◆ 2.54 mm relimate connector
- ◆ Gold Plated PCB Terminals
- ◆ Gold plated wiper contact
- ◆ Long life
- ◆ Infinite resolution

Other Option

- ◆ With Switch



LCP-20

Electrical Specifications

Resistance Values	1K, 5K & 10 KΩ
Resistance Tolerance	±25%
Linearity	±1%
Stroke Length	Mech: 12 mm/22 mm, Electrical : 10/20 mm
Stroke Life	1 Million cycles
Operating Temperature	0°C to 70°C
Output Curve	Linear
H. V. Test	500 VAC for 1 minute

Mechanical Specifications

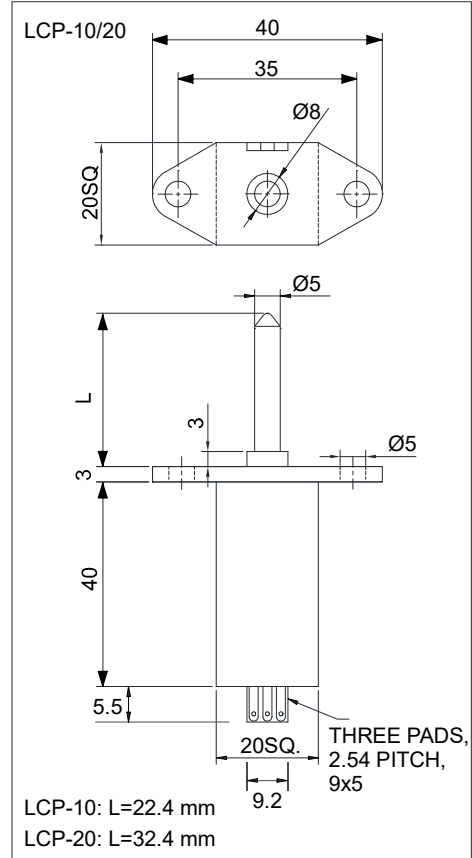
Housing	20 mm Square
Housing Length	43 mm
Plunger Diameter	5 mm
Flange Mounting	Two holes 5 mm dia. @ 35 mm
Pilot Diameter	8 mm x 3 mm Thick

Short Stroke Conductive Plastic Potentiometers Model: LCP-10/LCP-20

Product Images



Dimensional Diagram



Applications

- ◆ Linear Sensing,
- ◆ Foot/hand operated actuators,
- ◆ Automotive,
- ◆ Switch gears,
- ◆ Feedback Controls viz.: Displacement, Pressures in hydraulics & pneumatics,
- ◆ Variable limit switch,
- ◆ Variable brakes sensor & many more.

Ordering Information

Example: LCP-10 or LCP-20, 1K

Model No.	Stroke Length	Resistance Value in ohm
LCP-10	10 mm	1K, 5K, 10K
LCP-20	20 mm	

Note: We reserve the right to make any kind of design, specifications or functional modification at any moment without prior notice

Pankaj POTENTIOMETERS PVT. LTD.
Manufacturers & Exporters
MUMBAI-INDIA

URL: www.pankaj.com, E-mail: pankaj.potentiometers@gmail.com