

MAKE IN INDIA



Certified Company

Pankaj



Mark Certified Product

Wire Wound Potentiometers SR.W-3

PANKAJ, Model SR.W-3 enjoys the privilege of being the only Indian Product Manufactured to meet Defense specifications DEF 5121, JSS - 50502

Features

- ◆ Brass Nickel Plated Bush & Spindle
- ◆ Tin Plated Terminals
- ◆ Thermoset Housing
- ◆ Flame Proof Housing
- ◆ IP-65
- ◆ Panel & Spindle sealing, hence can be used in harsh environmental condition.

Optional Features

- ◆ Anti Rotating Mounting Plate
- ◆ Semi Log Resistance Curve in R.W-3
- ◆ Various Shaft Lengths and Designs

Military Grade Specifications

| | |
|-----------------------------|---|
| Resistance Range | 10Ω to 10KΩ $\pm 10\%$ |
| Power Rating | 1 Watt @ 70°C |
| Stability | $\pm 2\%$ |
| TCR | ± 150 ppm/°C (Max.) |
| Temperature Range | T 40/70 (-40°C to +70°C) |
| Damp Heat | H 12 (2 Cycles 21 Days) |
| Air Pressure | P 16:8.5 kpa |
| Acceleration (Steady State) | A 10: 170m/s ² |
| Impact (Shock) | S 12: 500m/s ² , 11ms |
| Vibration | V 12: 10 to 2000Hz. 100m/s ² |

TCR = Temperature Coefficient of Resistance Wire

Applications

- ◆ Temperature Controllers,
- ◆ Power Supplies,
- ◆ AC/DC Motor Drives,
- ◆ Process Control Equipments,
- ◆ Test and Measuring Instruments,
- ◆ Control Panels,
- ◆ Offset Settings & many more.

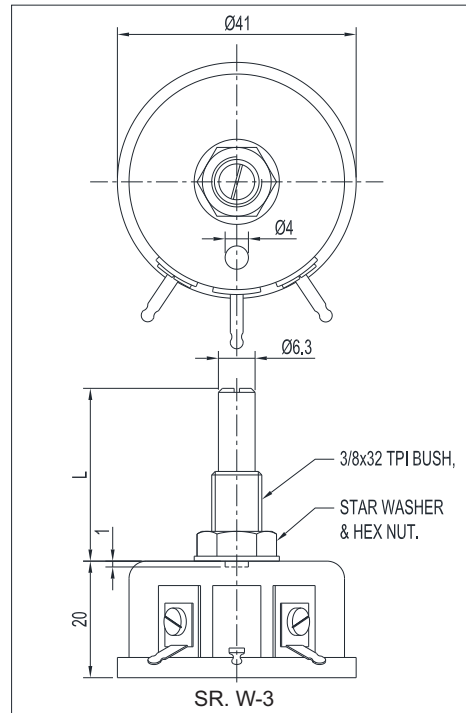


Wire Wound Potentiometers SR. W-3

Product Image



Dimensional Diagram



Ordering Information

Example: SR. W-3, 25K, 25mm

| Model No. | Resistance Value | Shaft Length in mm | Other Options |
|-----------|---|--------------------------|---|
| SR.W-3 | 50, 100, 150, 200, 250, 500, 1K, 2K, 2K5, 3K, 5K, 10K | 19mm or 25mm as required | F - Flattened Shaft P - Locking Plate L - Shaft Locking Nut |

Note: We reserve the right to make any kind of design, specifications or functional modification at any moment without prior notice

Pankaj POTENTIOMETERS PVT. LTD.

Manufacturers & Exporters
MUMBAI-INDIA

URL: www.pankaj.com, E-mail: pankaj.potentiometers@gmail.com