

MAKE IN INDIA



Certified Company

Pankaj



Mark Certified Product

Single Turn Conductive Plastic Potentiometers SCP-25

Conductive Plastic Single Turn Panel Mounting Potentiometers SCP-25 from PANKAJ offers long rotational life, stable output in wide temperature range, high moisture environment, with infinite resolution for manual or mechanized application in variety of fields e.g. Drives, Automation etc.

Features

- ◆ Infinite Resolution, low CRV
- ◆ Gold Plated Wiper & PCB
- ◆ Long Rotational Life
- ◆ Sturdy Construction
- ◆ Brass Nickel Plated Bush and Shaft
- ◆ Thermoplastic Housing
- ◆ Ralimat Connector Compatible Termination
- ◆ Various Shaft Lengths and Designs

Electrical Specifications

| | |
|----------------------------------|---------------------------------|
| Standard Resistance Values | 1K, 5K & 10KΩ Others on request |
| Resistance Range | |
| Standard | ± 25% |
| Spacial | ± 15% |
| Power Rating | 1 Watt @ 40°C |
| Resolution | Essentially Infinite |
| Rotational Life Expectancy | 1 Lakh Shaft Revolutions |
| Temp. Coefficient of Resistance | ±500 ppm/°C |
| Maximum Wiper Current | 1 mA |
| Effective Electrical Angle | 300° |
| Dielectric Strength at Sea Level | Min. 1000VAC for 1 minute |
| Temperature Range | 0° to 100°C |



Mechanical Specifications

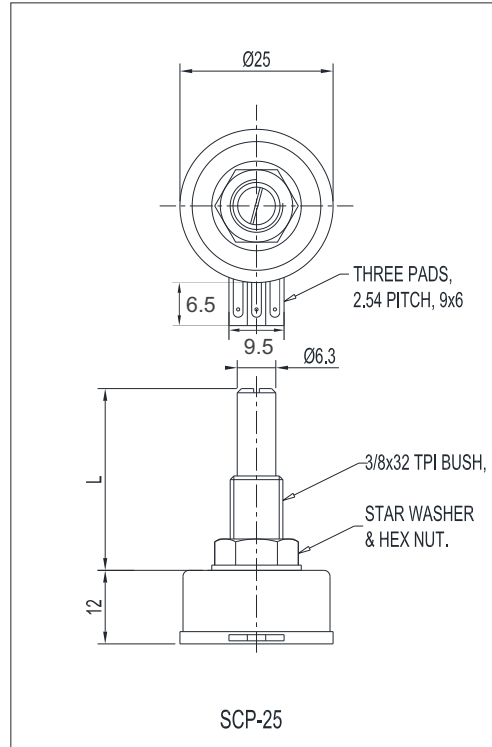
| | |
|------------------------------|-------------------------------|
| Housing Diameter | 25mm |
| Housing Length | 12mm |
| Shaft Diameter | 6.3mm |
| Shaft Length | 19mm or 25mm |
| Mounting | Bush 3/8" x 32 TPI, 10mm Long |
| Mechanical Angle of Rotation | 330° |

Single Turn Conductive Plastic Potentiometers SCP-25

Product Image



Dimensional Diagram



Applications

- ◆ Automation
- ◆ AC/DC Motor Drives
- ◆ Process Control Equipments
- ◆ Test and Measuring Instruments
- ◆ Control Panels
- ◆ Offset Settings & many more.

Ordering Information

Example: SCP-25, 1K, 19mm

| Model No. | Resistance Value | Shaft Length in mm |
|-----------|------------------|---|
| SCP-25 | 1K, 5K, 10K | 19mm or 25mm as required Others on request |

Note: We reserve the right to make any kind of design, specifications or functional modification at any moment without prior notice

Pankaj* POTENTIOMETERS PVT. LTD.

Manufacturers & Exporters
MUMBAI-INDIA

URL: www.pankaj.com, E-mail: pankaj.potentiometers@gmail.com