

MAKE IN INDIA



Certified Company

Pankaj



Mark Certified Product

Rotary Conductive Plastic Servo Potentiometer, RCP-50

Conductive Plastic Servo Potentiometer from PANKAJ offers long rotational life, stable output in wide temperature range, high moisture environment, with infinite resolution for manual or mechanized application in variety of fields.

Features

- ◆ Infinite Resolution, Low CRV
- ◆ Gold Plated Wiper & PCB
- ◆ Double Ball Bearings
- ◆ White Anodized Aluminum Top
- ◆ Bakelite Housing
- ◆ Relimate Connector PCB
- ◆ Long Rotational Life
- ◆ Sturdy Construction

Electrical Specifications

Standard Resistance Values	1K, 5K & 10K Ω , Others on request
Resistance Tolerance	
Standard	$\pm 25\%$
Special	$\pm 15\%$
Power Rating	3 Watt @ 40°C
Resolution	Essentially Infinite
Rotational Life Expectancy	1 Lakh Shaft Revolutions
Temp. Coefficient of Resistance	± 500 ppm/°C
Maximum Wiper Current	1mA
Effective Electrical Angle	355°
Dielectric Strength at Sea Level	Min. 1000VAC for 1 minute
Temperature Range	0° to 70°C



Mechanical Specifications

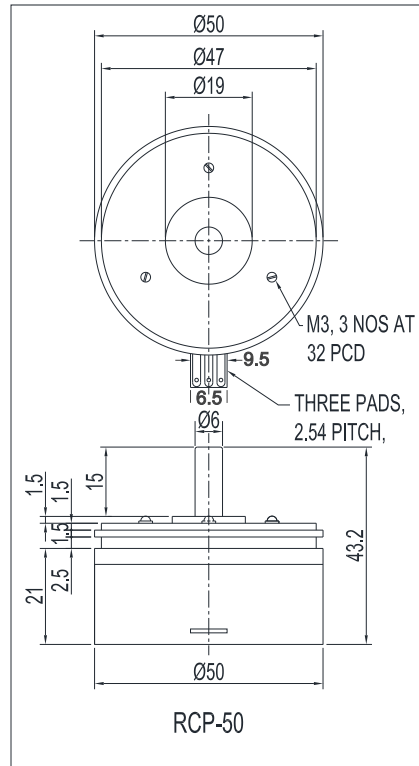
Housing Diameter	50mm
Housing Length	25.50mm
Shaft Diameter	6mm
Shaft Length	15mm
Servo Mounting	Three M3 screws @ 32mm PCD
Pilot Diameter	19mm x 1.5mm
Mechanical Angle of Rotation	360°

Rotary Conductive Plastic Servo Potentiometer, RCP-50

Product Image



Dimensional Diagram



Applications

- ♦ Automation
- ♦ Rotary sensing
- ♦ Dancer POT
- ♦ Feedback
- ♦ Tension Control
- ♦ Valves Control & many more.

Ordering Information

Example: RCP-50, 1K

Model No.	Resistance Value
RCP-50	1K, 5K, 10K

Note: We reserve the right to make any kind of design, specifications or functional modification at any moment without prior notice

Pankaj POTENTIOMETERS PVT. LTD.

Manufacturers & Exporters
MUMBAI-INDIA

URL: www.pankaj.com, E-mail: pankaj.potentiometers@gmail.com