

MAKE IN INDIA



Certified Company

Pankaj



Mark Certified Product

Short Stroke Conductive Plastic Potentiometers LCP-10/LCP-20

"Pankaj", keeping in line with the policy of pioneering to manufacture potentiometer with 100% own technology, introduces Short Stroke Conductive Potentiometer.

Type LCP-10 or LCP-20 Housed in 20mm square, strong glass reinforced engineering plastic, flange type mounting with M4 holes. Output connections are through Gold plated PCB, 2.54mm ralimate connector.

Features

- ◆ 20 mm square moulded housing
- ◆ 5 mm Diameter spring return plunger
- ◆ Flange mounting
- ◆ 10 mm or 20mm Electrical travel
- ◆ Gold plated PCB
- ◆ Gold Plated PCB Terminals
- ◆ Gold plated wiper contact
- ◆ Long life
- ◆ Infinite resolution

Other Option

- ◆ With Switch

Electrical Specifications

Resistance Values	1K, 5K & 10K Ω
Resistance Tolerance	$\pm 25\%$
Linearity	$\pm 1\%$
Stroke Length	Mechanical: 12mm/22mm, Electrical : 10/20mm
Stroke Life	1 Million cycles
Operating Temperature	0°C to 70°C
Output Curve	Linear
H. V. Test	500VAC for 1 minute



LCP-20

Mechanical Specifications

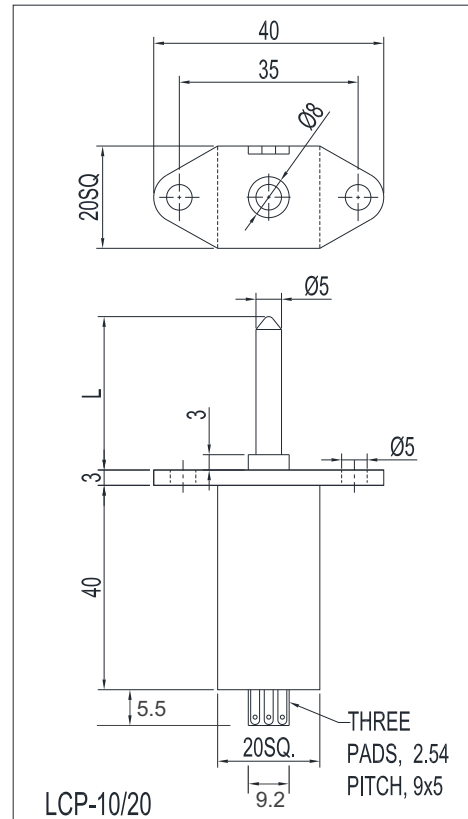
Housing	20mm Square
Housing Length	43mm
Plunger Diameter	5mm
Flange Mounting	Two holes 5mm dia. @ 35mm
Pilot Diameter	8mm x 3mm Thick

Short Stroke Conductive Plastic Potentiometers LCP-10/LCP-20

Product Images



Dimensional Diagram



Applications

- ◆ Linear Sensing,
- ◆ Foot/hand operated actuators,
- ◆ Automotive,
- ◆ Switch gears,
- ◆ Feedback Controls viz.: Displacement, Pressures in hydraulics & pneumatics,
- ◆ Variable limit switch,
- ◆ Variable brakes sensor & many more.

Ordering Information

Example: LCP-10 or LCP-20, 1K

Model No.	Stroke Length	Resistance Value, Ω
LCP-10	10mm	1K, 5K, 10K
LCP-20	20mm	

Note: We reserve the right to make any kind of design, specifications or functional modification at any moment without prior notice

Pankaj* POTENTIOMETERS PVT. LTD.

Manufacturers & Exporters
MUMBAI-INDIA

URL: www.pankaj.com, E-mail: pankaj.potentiometers@gmail.com