

MAKE IN INDIA



Certified Company

Pankaj



Mark Certified Product

Wire Wound Potentiometers JR. W-1

PANKAJ, Model JR.W-1 enjoys the privilege of being the only Indian Product Manufactured to meet Defense specifications DEF 5121, JSS - 50502.

Features

- ◆ Brass Nickel Plated Bush & Spindle
- ◆ Tin Plated Terminals
- ◆ Thermoset Housing
- ◆ Panel & Spindle sealing, hence can be used in harsh environmental condition
- ◆ Flame Proof Housing
- ◆ IP-65

Optional Features

- ◆ Anti Rotating Mounting Plate
- ◆ Various Shaft Lengths with different designs

Military Grade Specifications

Resistance Range	10Ω to 10KΩ $\pm 10\%$
Power Rating	0.5 Watt @ 70°C
Stability	$\pm 2\%$
TCR	± 150 ppm/°C (Max.)
Temperature Range	T 40/70 (-40°C to + 70°C)
Damp Heat	H 12 (2 Cycles 21 Days)
Air Pressure	P 16:8.5 kpa
Acceleration (Steady State)	A 10: 170m/s
Impact (Shock)	S 12: 500m/s, 11ms
Vibration	V 12: 10 to 2000Hz. 100m/s

TCR = Temperature Coefficient of Resistance Wire

Applications

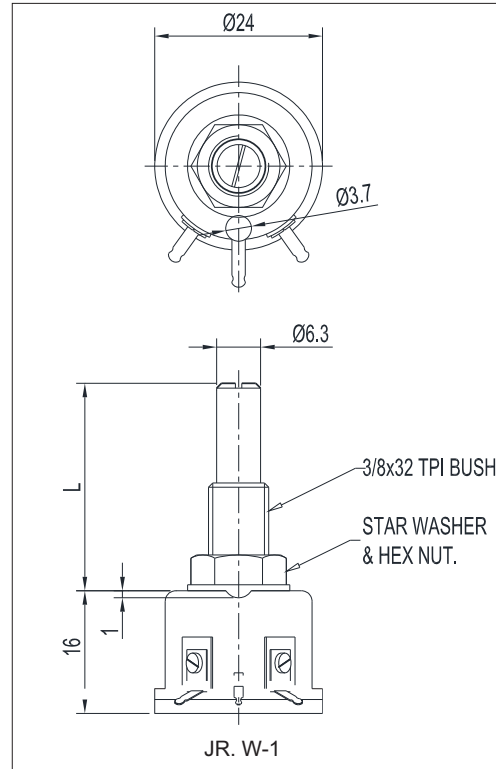
- ◆ Temperature Controllers,
- ◆ Power Supplies,
- ◆ AC/DC Motor Drives,
- ◆ Process Control Equipments,
- ◆ Test and Measuring Instruments,
- ◆ Control Panels,
- ◆ Offset Settings & many more.

Wire Wound Potentiometers JR. W-1

Product Image



Dimensional Diagram



Ordering Information

Example: JR. W-1, 10K, 25mm

Model No.	Resistance Value, Ohms	Shaft Length in mm	Other Options
JR.W-1.	50, 100, 150, 200, 250, 500, 1K, 2K, 2K5, 3K, 5K, 10K	19mm or 25mm as required	F - Flattened Shaft P - Locking Plate L - Shaft Locking Nut

Note: We reserve the right to make any kind of design, specifications or functional modification at any moment without prior notice

Pankaj POTENTIOMETERS PVT. LTD.

Manufacturers & Exporters
MUMBAI-INDIA

URL: www.pankaj.com, E-mail: pankaj.potentiometers@gmail.com