

Hollow Shaft Wire Wound Servo Potentiometer, HSS-50

Model HSS-50 is Servo Mounted Wire Wound Potentiometers with Hollow Shaft on two ball bearings from PANKAJ, the trusted brand of Wire Wound Potentiometers in India, best suited for tensioner application due to Low torque and longer life.

Features

- ◆ Aluminum Black Anodized Top & Bottom
- ◆ Bakelite Housing,
- ◆ Double Ball Bearings
- ◆ 6mm Stainless Steel Hollow Shaft
- ◆ Gold Plated Terminals and Contacts

Optional Features

- ◆ Customized Electrical Angle of Rotation
- ◆ Taping at 90°, 180°, 270°

Electrical Specifications

Resistance Values	100Ω, 500Ω, 1KΩ, 2KΩ, 5KΩ & 10KΩ
Power Rating	3 Watt@ 40°C
Linearity	Better than 1%
Insulation Resistance	200MΩ at 500VDC
Max Working Voltage	300VDC
Voltage Proof	1KV for 1min. at sea level
Electrical Angle of Rotation	355°

Mechanical Specifications

Housing Diameter	50mm
Housing Length	28mm
Servo Mounting	Three M3 Screws @ 32 PCD
Pilot Diameter	19mm x 1.5mm
Mechanical Angle of Rotation	360°

Applications

- ◆ Process Control Equipments,
- ◆ Dancer POT,
- ◆ Tension Control,
- ◆ Feedback,
- ◆ Control valve & many more.

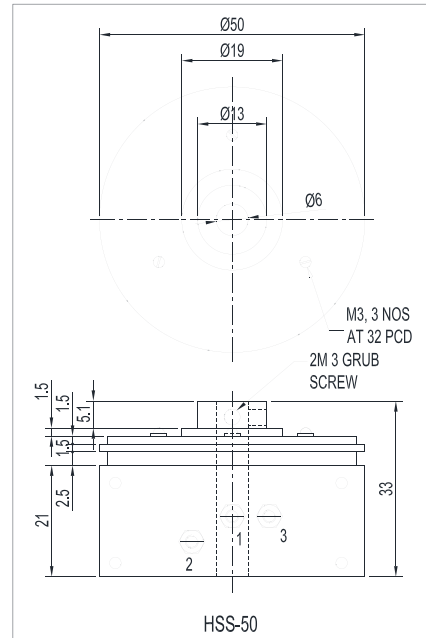


Hollow Shaft Wire Wound Servo Potentiometer, HSS-50

Product Image



Dimensional Diagram



Theoretical Resolution in % of Resistance Value

Resistance Range	% Resolution
100 Ω	0.234
500 Ω	0.124
1K Ω	0.137
2K Ω	0.120
5K Ω	0.069
10K Ω	0.054

Ordering Information

Example: HSS-50, 5K

Model No.	Resistance Value, Ohms
HSS - 50	100, 500, 1K, 2K, 5K, 10K

Note: We reserve the right to make any kind of design, specifications or functional modification at any moment without prior notice

Pankaj POTENTIOMETERS PVT. LTD.

Manufacturers & Exporters
MUMBAI-INDIA

URL: www.pankaj.com, E-mail: pankaj.potentiometers@gmail.com